

1

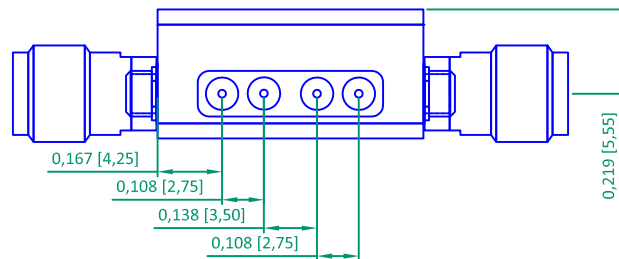
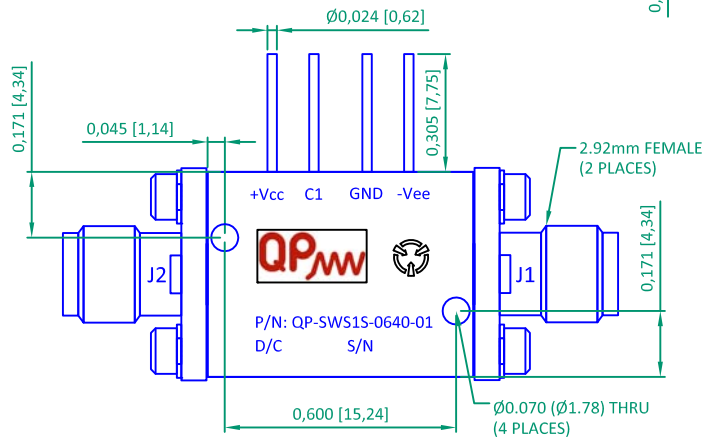
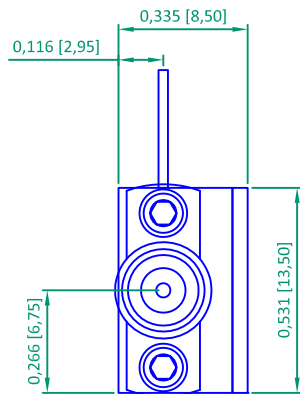
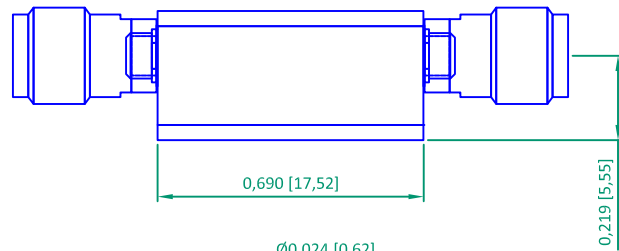
2

3

4

A

A



ALL DIMENSIONS SHOWN  
ARE IN mm (inch)

### ELECTRICAL SPECIFICATIONS:

FREQUENCY RANGE:	6 - 40 GHz.
INSERTION LOSS:	4.0 dB MAX.
ISOLATION:	60 dB MIN.
VSWR J1(OFF):	2.5:1 MAX.
VSWR J1/J2 (ON):	2.5:1 MAX.
SWITCHING TIME: ON:	25 ns MAX. (50% VCRTL TO 90% RF)
OFF:	15 ns MAX. (50% VCRTL TO 10% RF)
CONTROL:	TTL See Table.
BIAS:	+Vcc: +5 to +15V, 20 mA MAX. /-Vee: -5 TO -15V, -20 mA MAX.

Ctrl Line-C1	RF Output
0	ON
1	OFF

D

D

### ENVIRONMENTAL RATINGS

- TEMPERATURE:	-40°C TO +85°C (OPERATING) -55°C TO +125°C (STORAGE)
- HUMIDITY:	MIL-STD-202G, METHOD 103B COND. B
- SHOCK:	MIL-STD-202G, METHOD 213B COND. B
- VIBRATION:	MIL-STD-202G, METHOD 204D COND. B
- ALTITUDE:	MIL-STD-202G, METHOD 105C COND. B
- TEMP. SHOCK:	MIL-STD-202G, METHOD 107G COND. A



E

E

NOTE: The above specifications are subject to change or revision. Specifications are at 25°C unless stated otherwise.

F

F



**QP microWAVE**  
CÓLQUIDE 6  
28231 LAS ROZAS  
MADRID, SPAIN

APPROVALS	DATE	SIGNED	DESCRIPTION: SP1T SEMI-ABSORTIVO 6-40 GHZ	REV.:	SHEET:
DRAW	28/11/13	DVI	QP-SWS1S-0640-01	001	1 OF 1
CHECKED	28/11/13	JVA			
APPROVED					

1

2

3

4