

1

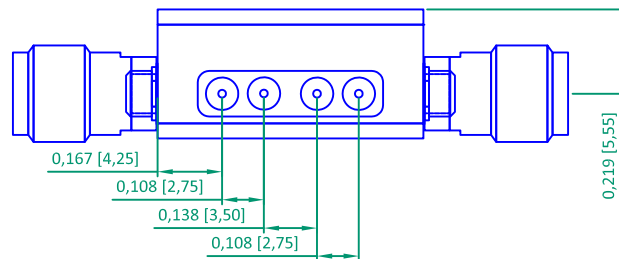
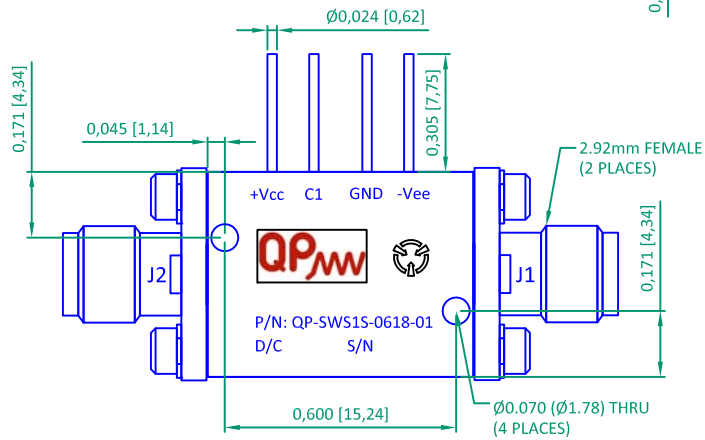
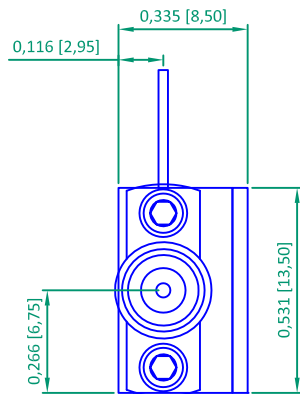
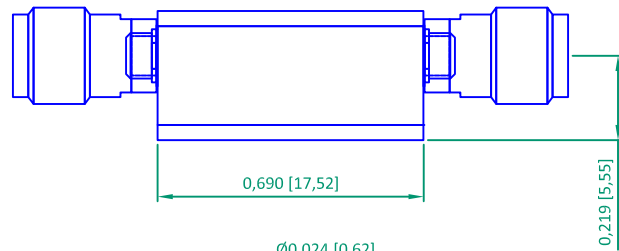
2

3

4

A

A



**ALL DIMENSIONS SHOWN
ARE IN mm (inch)**

ELECTRICAL SPECIFICATIONS:

FREQUENCY RANGE: 6 - 18 GHz.
 INSERTION LOSS: 3.0 dB MAX.
 ISOLATION: 60 dB MIN.
 VSWR J1(OFF): 2.5:1 MAX.
 VSWR J1/J2 (ON): 2.5:1 MAX.
 SWITCHING TIME: ON: 25 ns MAX. (50% VCRTL TO 90% RF)
 OFF: 15 ns MAX. (50% VCRTL TO 10% RF)
 CONTROL: TTL See Table.
 BIAS: +Vcc: +5 to +15V, 20 mA MAX. /-Vee: -5 TO -15V, -20 mA MAX.

| Ctrl Line-C1 | RF Output |
|--------------|-----------|
| 0 | ON |
| 1 | OFF |

D

D

ENVIRONMENTAL RATINGS

- TEMPERATURE: -40°C TO +85°C (OPERATING)
 -55°C TO +125°C (STORAGE)
 - HUMIDITY: MIL-STD-202G, METHOD 103B COND. B
 - SHOCK: MIL-STD-202G, METHOD 213B COND. B
 - VIBRATION: MIL-STD-202G, METHOD 204D COND. B
 - ALTITUDE: MIL-STD-202G, METHOD 105C COND. B
 - TEMP. SHOCK: MIL-STD-202G, METHOD 107G COND. A



E

E

NOTE: The above specifications are subject to change or revision. Specifications are at 25°C unless stated otherwise.

F

F



QP microWAVE
 CÓLQUIDE 6
 28231 LAS ROZAS
 MADRID, SPAIN

| APPROVALS | DATE | SIGNED | DESCRIPTION: SP1T SEMI-ABSORTIVO 6-18 GHZ |
|-----------|----------|--------|---|
| DRAW | 28/11/13 | DVI | CODE: QP-SWS1S-0618-01 |
| CHECKED | 28/11/13 | JVA | |
| APPROVED | | | |
| | | | REV.: 001 |
| | | | SHEET: 1 OF 1 |

1

2

3

4