

1 2 3 4 5 6 7 8

A

B

C

D

E

F

A

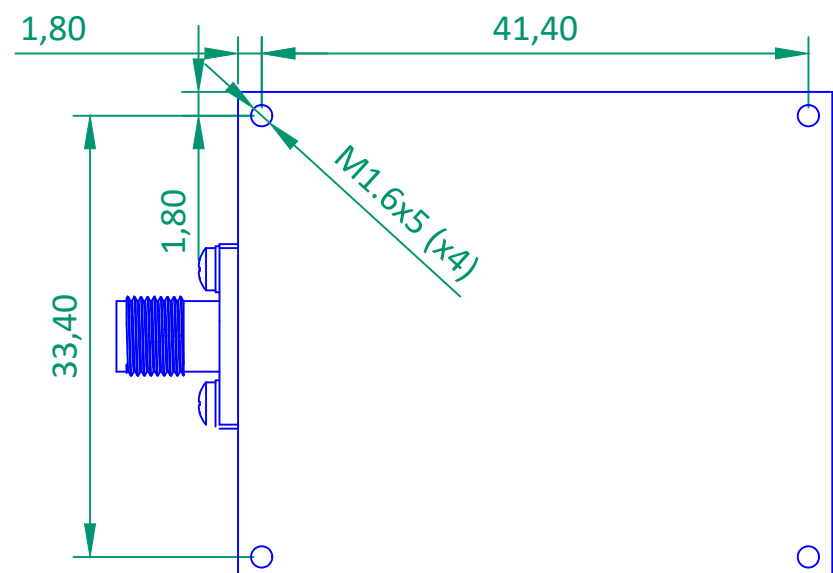
B

C

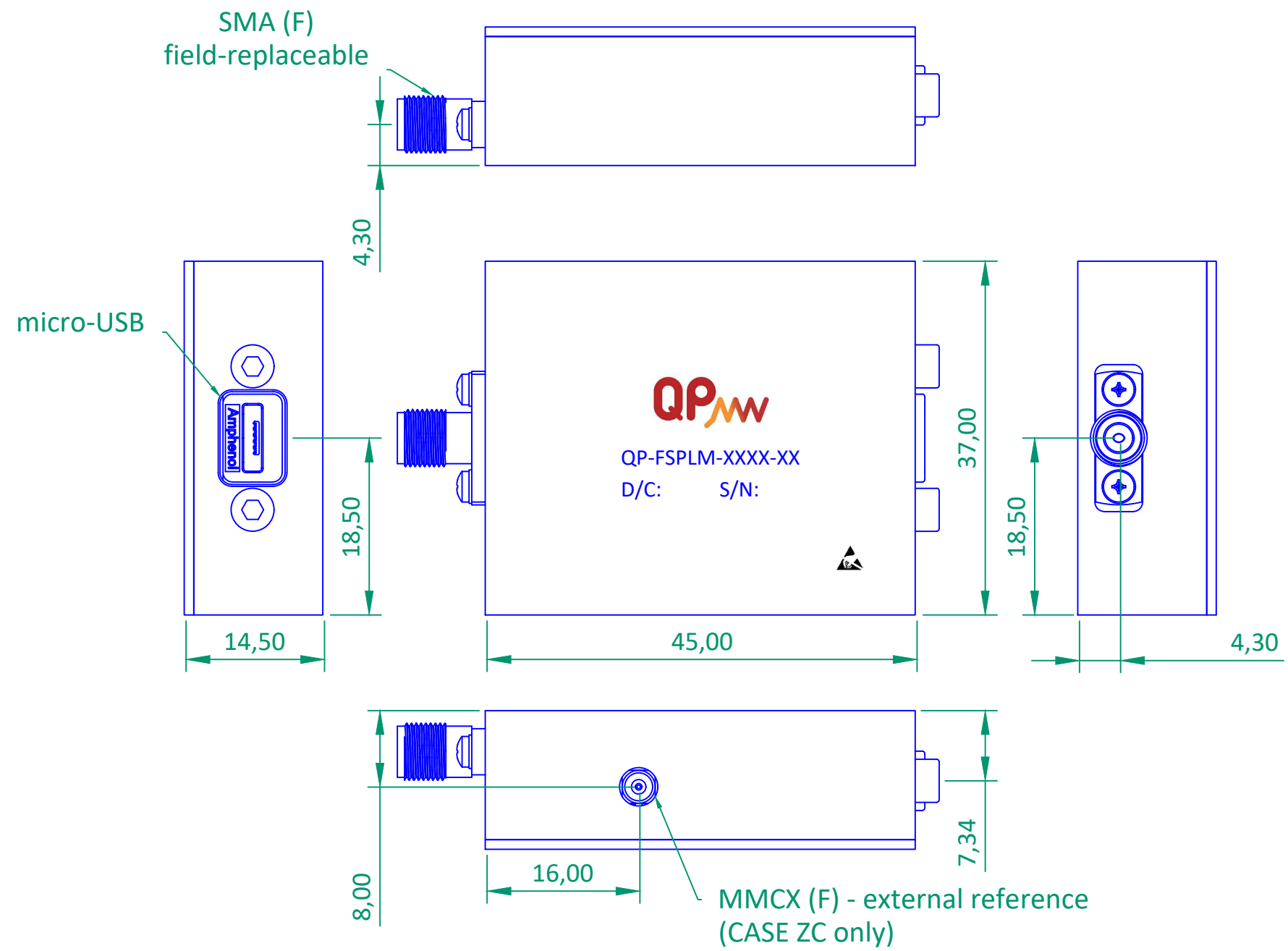
D

E

F



ALL THE DIMENSIONS ARE SHOWN IN mm



ELECTRICAL SPECIFICATIONS

FREQUENCY RANGE: 50 MHz - 6.4 GHz
 FREQUENCY STEP: 1 Hz
 ATTENUATION RANGE: 31.5 dB
 ATTENUATION STEP: 0.5 dB
 OUTPUT POWER: +15 dBm ± 1 dB
 OUTPUT RETURN LOSSES: 14 dB
 2nd HARMONIC LEVEL: -35 dBc @ 2.3 - 6.4 GHz
 3rd HARMONIC LEVEL: -60 dBc @ 2.3 - 6.4 GHz
 SUBHARMONICS: N/A
 SPURIOUS LEVEL: -70 dBc typ. (Freq. multiple of 100 MHz)
 -40 dBc (Any frequency)

TEMPERATURE STABILITY: ±0.28 ppm (INTERNAL CLK)
 AGING: ±3 ppm (20 years - INTERNAL CLK)
 SUPPLY VOLTAGE: USB 3.0 powered
 POWER CONSUMPTION: 3W
 DIGITAL CONTROL: USB 3.0
 OPTIONS: X=0 (INTERNAL CLK)
 X=1 (10 MHz OR 100 MHz EXTERNAL CLOCK SELECTABLE)

CONNECTORS: SMA (F)
 micro-USB
 MMCX (F)

*Software GUI included

ENVIRONMENTAL RATINGS

- TEMPERATURE: -20°C TO +70°C (OPERATING)
 -40°C TO +85°C (STORAGE)
 - HUMIDITY: MIL-STD-202G, METHOD 103B COND. B
 - SHOCK: MIL-STD-202G, METHOD 213B COND. B
 - VIBRATION: MIL-STD-202G, METHOD 204D COND. B
 - ALTITUDE: MIL-STD-202G, METHOD 105C COND. B
 - TEMP. SHOCK: MIL-STD-202G, METHOD 107G COND. A



PHASE NOISE (Typical with 100 MHz external clock)

	@1 GHz	@3 GHz	@6 GHz	Unit
1 KHz	-104	-95	-93	dBc/Hz
10 KHz	-116	-111	-106	dBc/Hz
100 KHz	-119	-115	-111	dBc/Hz
1 MHz	-137	-132	-127	dBc/Hz
5 MHz	-150	-145	-140	dBc/Hz

NOTE: The above specifications are subject to change or revision. Specifications are at 25°C unless stated otherwise

 CÓLQUIDE 6 28231 LAS ROZAS MADRID, SPAIN	APPROVALS	DATE	SIGNED	DESCRIPTION: 50 MHz - 6.4 GHz FREQ. SYNTHESIZER	REV.:	SHEET:
	DRAW	14/09/22	CRU	QP-FSPLM-0006-X3	00A	1 OF 1
	CHECKED	14/09/22	BME			
	APPROVED	14/09/22	JAV			

1 2 3 4 5 6 7 8 RCHDC_EN_01