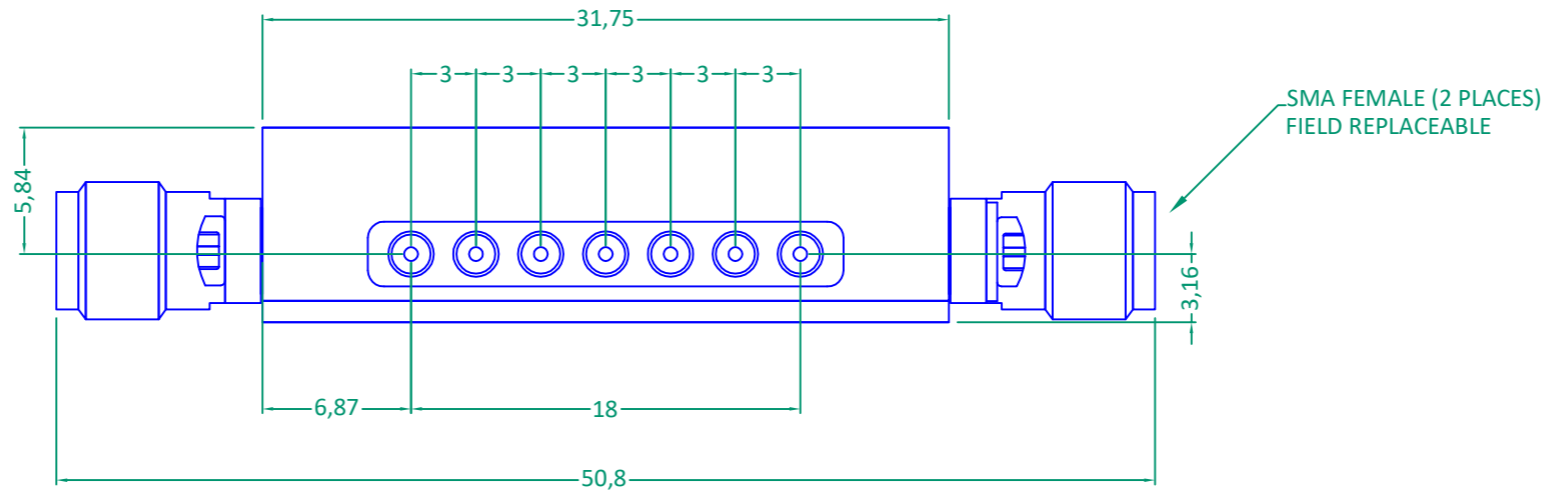


ALL DIMENSIONS SHOWN ARE IN mm



ELECTRICAL SPECIFICATIONS

FREQUENCY RANGE: 0.1 - 27 GHz
 ATTENUATION RANGE: 31 dB
 ATTENUATION WORD: 5 BITS
 ATTENUATION STEP: 1 dB
 INSERTION LOSS: 7.5 dB MAX.
 ATTENUATION ACCURACY*: ±1 dB @ 0 - 15 dB
 ±3 dB @ 16 - 31 dB
 VSWR: 1.8:1 TYP.
 2.5:1 MAX.
 SWITCHING TIME: 100 ns
 RF INPUT POWER: 25 dBm MAX.

*Referenced to insertion loss

LOGIC "0" (BIT ON): 0 TO 0.8 V
 LOGIC "1" (BIT OFF): 2 TO 5 V
 POWER SUPPLY: +VCC: +5V, 50 mA; -VCC: -5V, 50 mA
 CONNECTORS: J1, J2 - SMA FEMALE, FIELD REPLACEABLE
 PIN FUNCTIONS:
 -VCC
 P0 - 1 dB
 P1 - 2 dB
 P2 - 4 dB
 P3 - 8 dB
 P4 - 16 dB
 +VCC

Control bits					Attenuation
P0	P1	P2	P3	P4	dB
1	1	1	1	1	0
0	1	1	1	1	1
0	0	1	1	1	3
0	0	0	1	1	7
0	0	0	0	1	15
0	0	0	0	0	31

ENVIRONMENTAL RATINGS

- TEMPERATURE: -40°C TO +85°C (OPERATING)
 -55°C TO +125°C (STORAGE)
 - HUMIDITY: MIL-STD-202G, METHOD 103B COND. B
 - SHOCK: MIL-STD-202G, METHOD 213B COND. B
 - VIBRATION: MIL-STD-202G, METHOD 204D COND. B
 - ALTITUDE: MIL-STD-202G, METHOD 105C COND. B
 - TEMP. SHOCK: MIL-STD-202G, METHOD 107G COND. A



NOTE: The above specifications are subject to change or revision. Specifications are at 25°C unless stated otherwise



QP microWAVE
 CÓLQUIDE 6
 28231 LAS ROZAS
 MADRID, SPAIN

APPROVALS	DATE	SIGNED	DESCRIPTION: DIGITAL ATTENUATOR 0.1-27 GHz		
DRAW	13/07/20	FJI	CODE:	REV.:	SHEET:
CHECKED	13/07/20	BME	QP-ATDIG-0027-01	003	1 OF 1
APPROVED	13/07/20	JAV			