

A

A

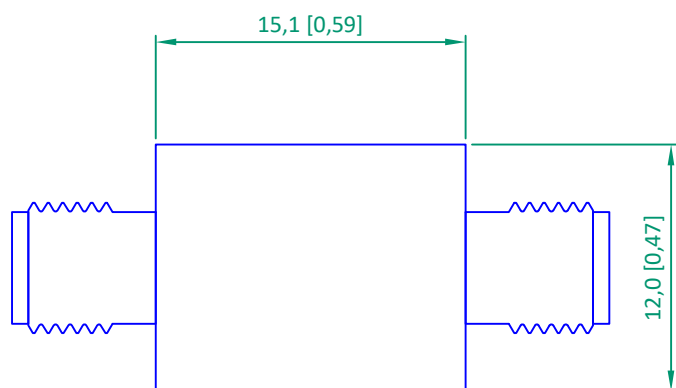
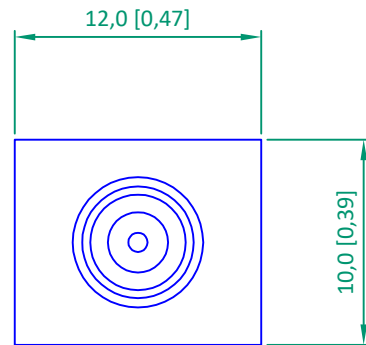
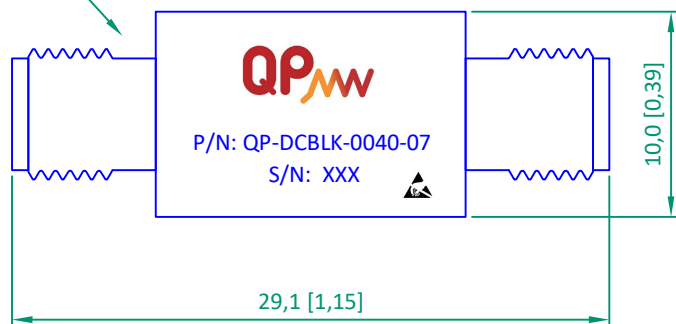
B

B

C

C

2.92mm FEMALE CONNECTORS (x2)



ALL DIMENSIONS SHOWN ARE IN mm [inch]

ELECTRICAL SPECIFICATIONS:

FREQUENCY RANGE: 20 kHz - 40 GHz  
 INSERTION LOSS: 1.3 dB MAX.  
 VSWR: 1.4:1 MAX.  
 DC VOLTAGE: 16 V

ENVIRONMENTAL RATINGS

- TEMPERATURE: -40°C TO +85°C (OPERATING)  
-55°C TO +125°C (STORAGE)
- HUMIDITY: MIL-STD-202G, METHOD 103B COND. B
- SHOCK: MIL-STD-202G, METHOD 213B COND. B
- VIBRATION: MIL-STD-202G, METHOD 204D COND. B
- ALTITUDE: MIL-STD-202G, METHOD 105C COND. B
- TEMP. SHOCK: MIL-STD-202G, METHOD 107G COND. A



NOTE: The above specifications are subject to change or revision. Specifications are at 25°C unless stated otherwise.

F

F



**QP microWAVE**  
 CÓLQUIDE 6  
 28231 LAS ROZAS  
 MADRID, SPAIN

APPROVALS	DATE	SIGNED
DRAW	03/11/20	BME
CHECKED	03/11/20	BME
APPROVED	03/11/20	JAV

DESCRIPTION: 20 kHz - 40 GHz DC BLOCK	
CODE: QP-DCBLK-0040-07	REV.: 002
	SHEET: 1 OF 1